

## Installation Manual for Joto-Vent Architectural-covering

**Joto-Vent System<sup>®</sup>**  
Continuous Perimeter Foundation Vent System

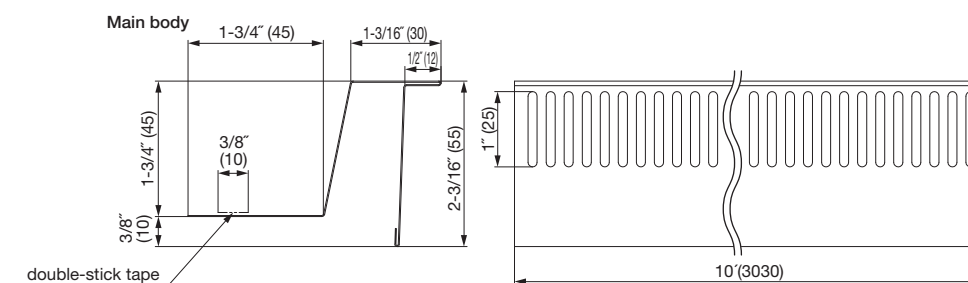
\*Read this Instruction carefully before installation.

### Specification

Product Number	WACF-U45
Dimensions	10' (3,030 mm)
Color	White (WT) / Black (BK)
Material	28 Gauge Galvanizes Steel
Package	10 pieces / box

Product number	Product Name	Package
WACF-U45CO	Outside-corner	5 pieces / box
WACF-U45CI	Inside-corner	5 pieces / box
WACF-U45JC	Joint-cover	20 pieces / box
WACF-U45EC	Endcap	5 sets / box

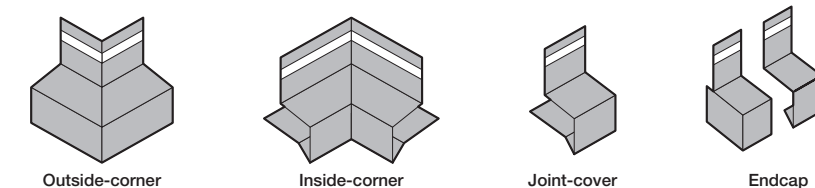
### Product Size



Ver.2.0 FE24SK



**Joto-Vent System USA, Inc.**  
17530 NE Union Hill Rd Suite 240, Redmond, WA 98052  
Tel: (425)-256-2210 Fax: (425)-522-4804  
URL: <https://joto-vent.com>



Manufactured by  
**JOTO TECHNO Co.,Ltd.**

**JOTO TECHNO Co.,Ltd.**

## WARNING

- Wear appropriate protective gear such as gloves, hard hats, and protective glasses while at work. Use appropriate cutting tools. Never use inappropriate tools for cutting purpose such as a sander to cut by friction. Properly handle the tools per their manufacturers' operations manual.
- Provide necessary personnel and equipment to ensure safety during transportation of the products. In particular, lengthy items must be carried by an appropriate number of people. If it must be carried by one person, keep it in balance by holding at the center point. Not doing so may lead to personal injury or property damages.
- Do not throw or drop the products. Do not step on the products or put anything on them. Doing so may lead to personal injury or property damages.
- Aware of sharp corners and edges of the products. In particular, be careful not to cut your hand or other body parts with a sharp edge of the products once it has been cut to length.
- Never burn, eat, or let children play with the products. Doing so may lead to serious accidents.

## CAUTION

- Avoid storage under very high or very low temperatures. Do not store the products outdoors. Do not keep the products upright. Doing so may lead to deformation of the products.
- Store the products on a flat surface.
- Never draw out the products from a small opening of a package. Doing so may damage the products.
- Do not block the ventilating holes when you paint the products. Doing so may impair the ventilation performance.
- Avoid using in direct contact with chemical-treated woods, CCA containing copper, lead, etc. and fire-retardant timbers when using the products, as there is a chance of corrosion when in contact with these types of treated woods. Also, avoid joining the products with fittings or accessories using dissimilar metals such as copper, lead, and alloys.
- Do not use the products at coastal areas (potential damage by seawater) or dense fog-prone areas. This product is a painted galvanized steel, however extreme salty coastal air may speed up rusting.
- Drip water caused by exhaust fumes from cars or chimneys may peel off the paint and coating.
- Remove the plastic film protective sheets on the overlap space of joint before installation.

## NOTICE

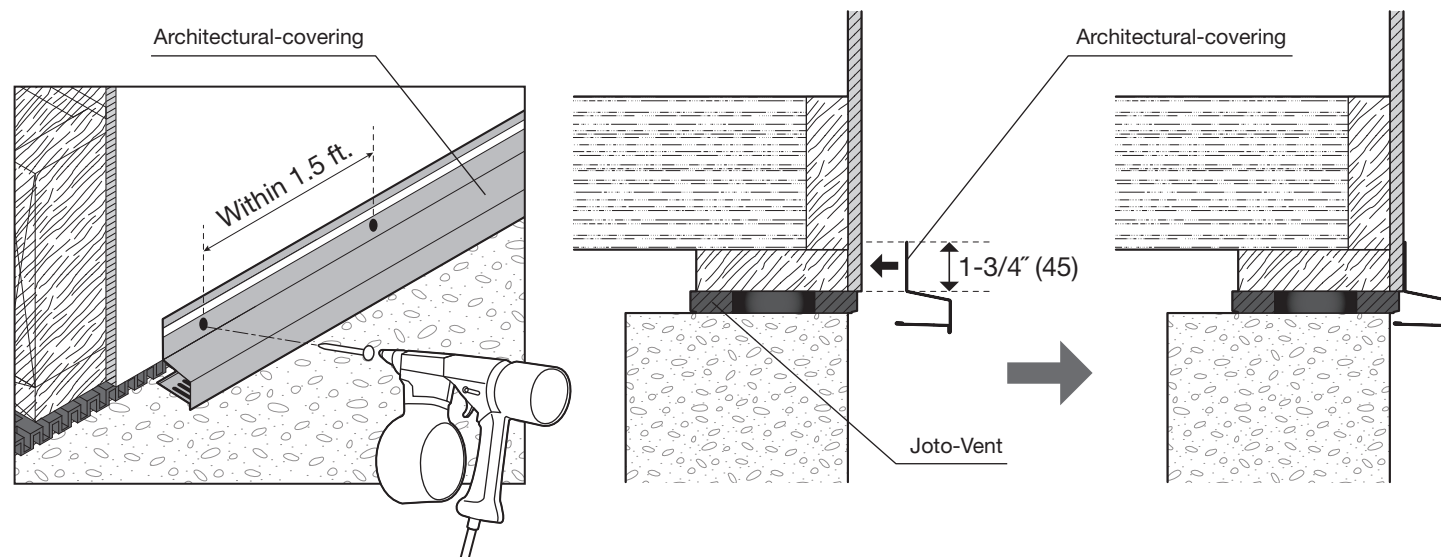
Advised to use proper nails or equivalent to install Architectural Covering to prevent corrosion. Remove the plastic film protective sheets on the Architectural-covering immediately after installation.

## Installation procedures

Install the Architectural-covering per the following instructions and illustrations.

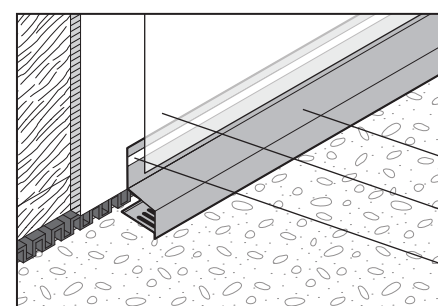
### Combination of Joto-Vent and Architectural-covering

Install the Architectural-covering by using proper nails, at an interval of 1.5 ft., over OSB or plywood (outside). The installation should be made at the position where the top of the Architectural-covering comes at 1-3/4 inch (45 mm) above the top surface of the Joto-Vent.

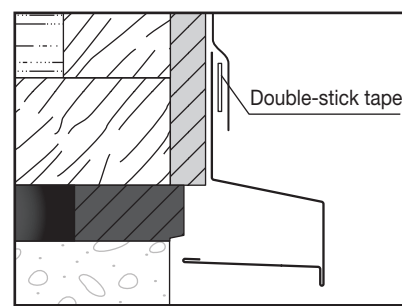


## NOTICE

Attach the lower end of the house wrap firmly to the architectural covering with the double-sided tape.



Architectural-covering  
House Wrap  
Double-sided tape

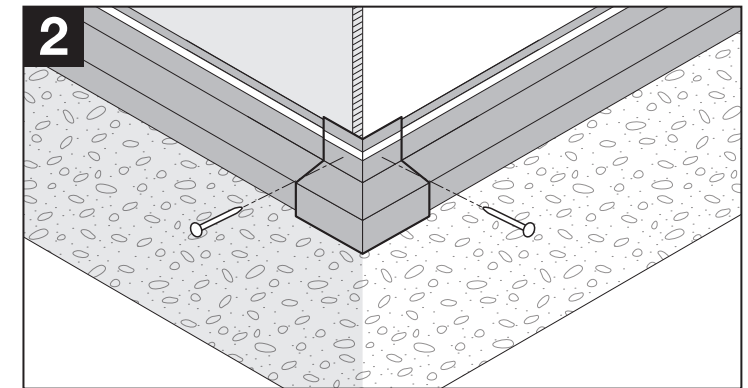
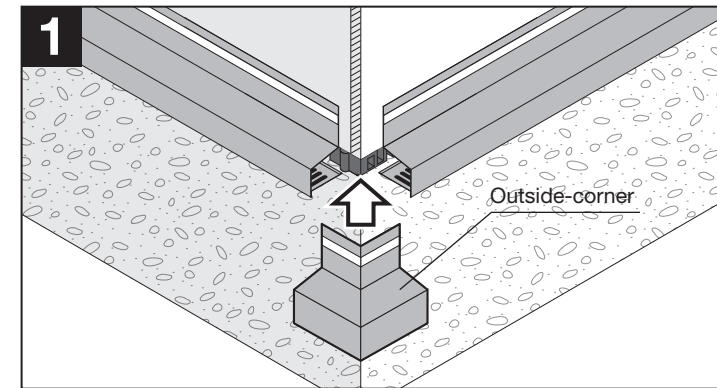


Double-stick tape

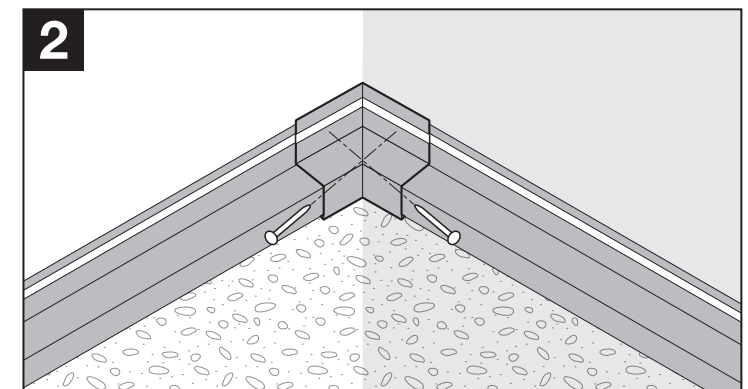
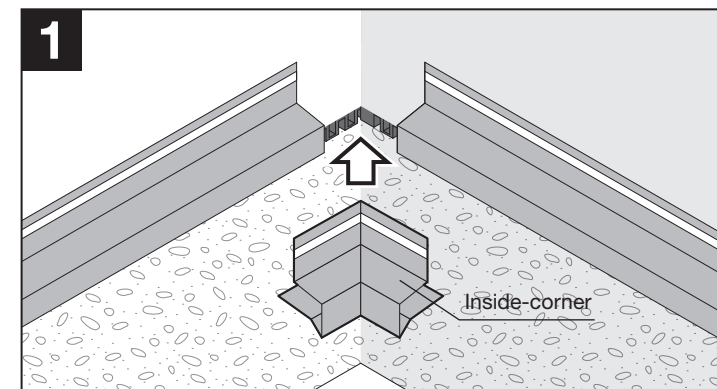
## Accessories

Optional parts must be selected from our specified products. Refer to CAUTION and NOTICE for handling precautions.

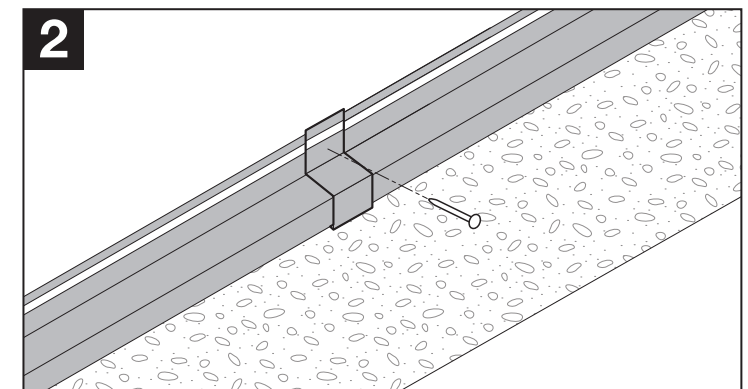
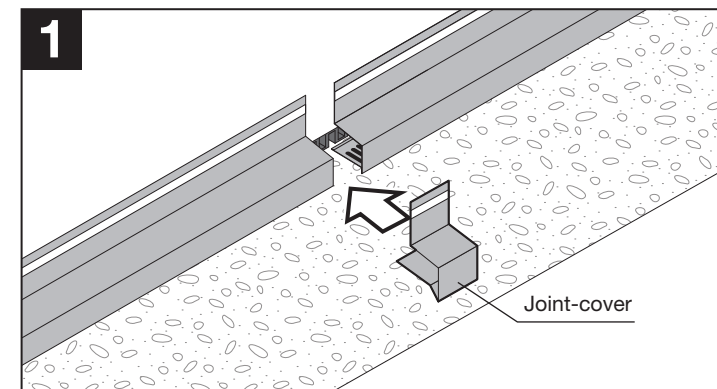
**Outside-corner:** install by using stainless-steel nails as shown in the illustrations.



**Inside-corner:** install by using stainless-steel nails as shown in the illustrations.



**Joint-cover:** install by using stainless-steel nails as shown in the illustrations.



**Endcap:** install by using stainless-steel nails as shown in the illustrations.

