

Installation environment

Operating temperature: -22°F to +104°F (-30°C to +40°C)

Applicable sill plates: 2x6 and 2x8.

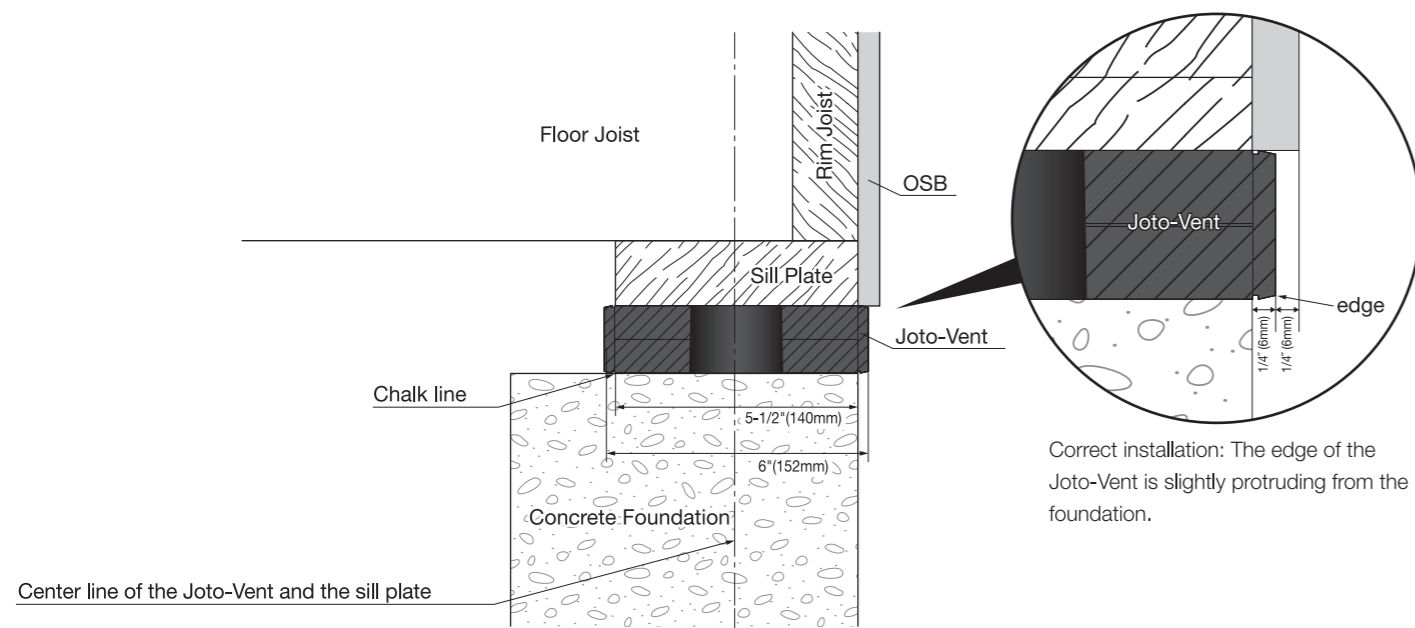
WARNING

- Wear appropriate protective gear such as gloves, hard hats, and protective glasses while at work. Use appropriate cutting tools. Never use inappropriate tools for cutting purpose such as sander to cut by friction. Properly handle the tools per their manufacturers' operations manual.
- Provide necessary personnel and equipment to ensure safety transportation of the products.
- Do not throw or drop the products. Do not step on the products or put anything on them. Doing so may lead to personal injury or property damages.
- Be careful about sharp corners and edges of the products.
- Never burn, eat, or let children play with the products. Doing so may lead to serious injury and or accidents.

CAUTION

- Avoid storage under very high or very low temperatures. Do not store the products outdoors. Doing so may lead to deformation of the products.
- Do not apply heat to the products and avoid unnecessary shock or impact to the products.
- Choose the correct products matching the foundation dimensions and structural demimensions.
- Make sure the finished top of the foundation is flat and smooth for proper installation.

Section Drawing



Joto

Installation Manual

for Joto-Vent

Joto-Vent System®

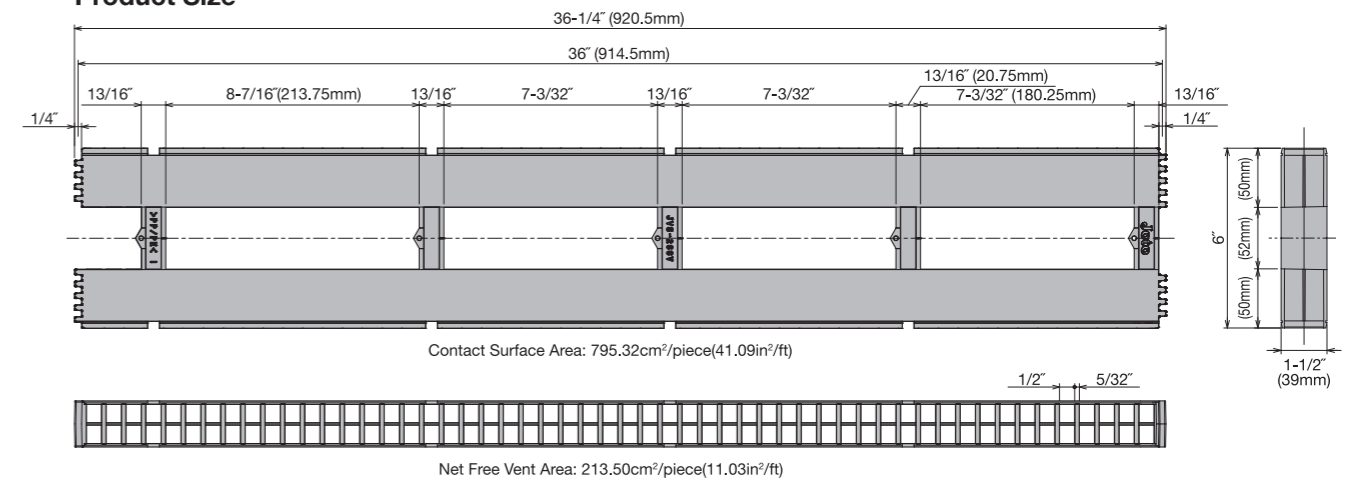
Continuous Perimeter Foundation Vent System

*Read this Instruction carefully before installation.

Specification

Product Number	JVS-26CV
Dimensions	6" x 3' x 1-1/2" (150 x 914.5 x 39mm)
Color	Black
Material	JC (Calcium-carbonate, Polyolefin recycled plastic composite)
Package	8 pieces / box

Product Size



Ver.1.0 JN22SK



Joto-Vent System USA, Inc.

17530 NE Union Hill Rd Suite 240, Redmond, WA 98052

Tel: (425)-256-2210 Fax: (425)-522-4804

URL: <https://joto-vent.com>

Manufactured by
JOTO TECHNO Co.,Ltd.

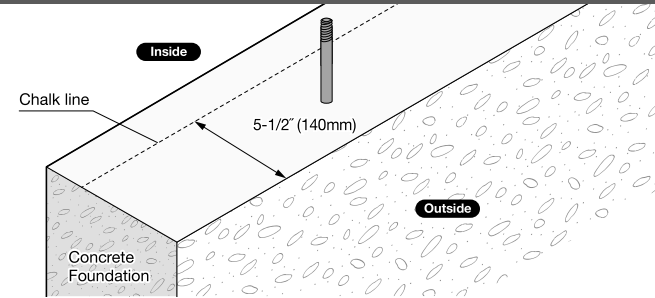
JOTO TECHNO Co.,Ltd.

Installation method

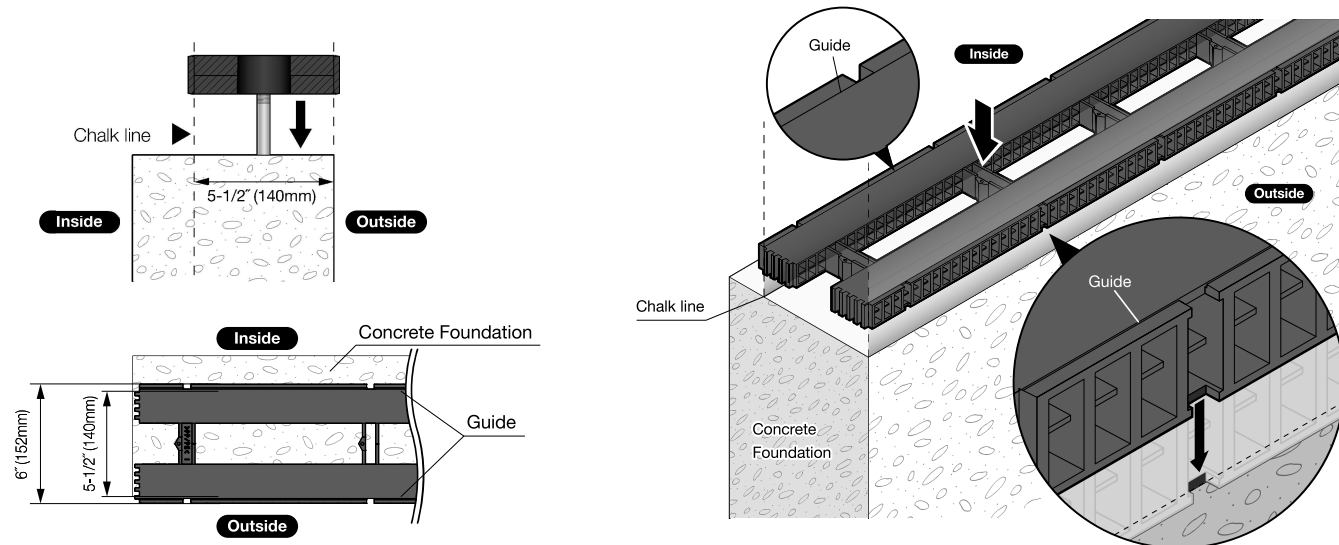
- Install the products by placing them closely, end to end, over the foundation that requires crawl space ventilation.
 - * Install the products over the entire foundation regardless of inside or outside, to keep the stud height uniform throughout the building.
- When installing the Joto-Vent, the sill plate will be centered on the Joto-Vent and aligned between the lines 1/4" (6mm) from each edge of the Joto-Vent. The sill plate and the outside of the foundation will be aligned which will have the Joto-Vent protrude 1/4" (6mm) past the edge of the foundation (See section drawing).

Installation procedures

- 1 Set a chalk line for installation at 5-1/2" (140mm) from the outside edge of the foundation.

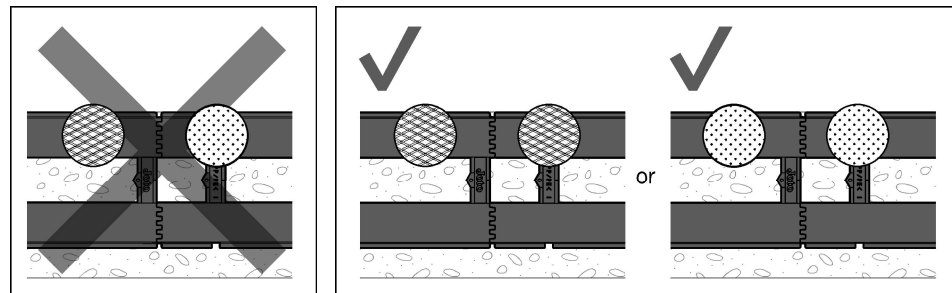


- 2 Install the Joto-Vent by aligning the Guide with the chalk line. This will make the Joto-Vent protrude over the edge of the foundation by 1/4" (6mm).



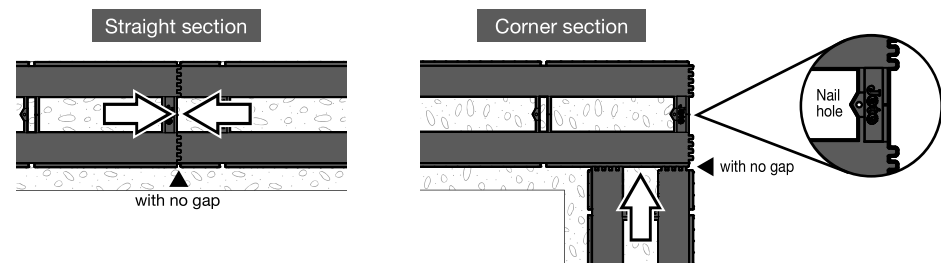
- 3 Place the Joto-Vent closely, end to end both at straight and corner sections.

* The Joto-Vent can be placed face up on both sides, but it should match the surface of the texture pattern.



* If necessary, adjust the length of the Joto-Vent at a corner section by cutting them. Refer to NOTICE section for more details.

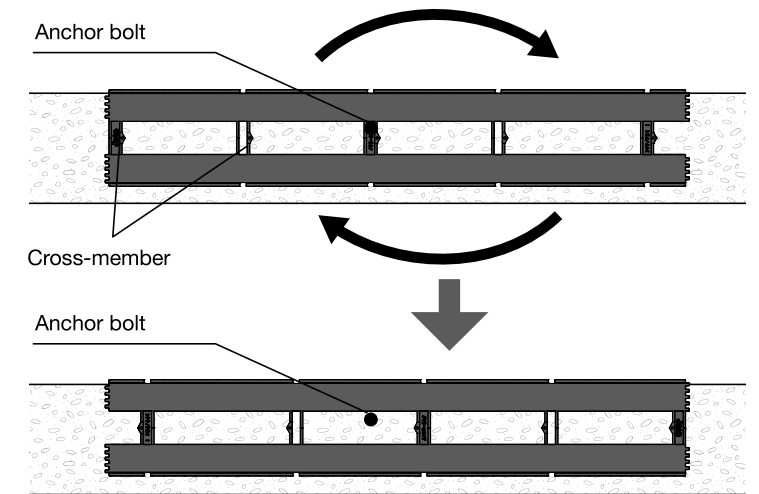
* Nailing or anchoring is not required for this product. Nail holes on center of the product can be used to hold the Joto-Vent into place while installation.



- 4 Confirm that the top surface of the foundation is fully lined with the Joto-Vent without any space between the Joto-Vent. Then install sill plate over the Joto-Vent by aligning it with the guide lines on the Joto-Vent and finish by bolting the sill plate to the foundation by using anchor bolts, washers, and nuts as per code.

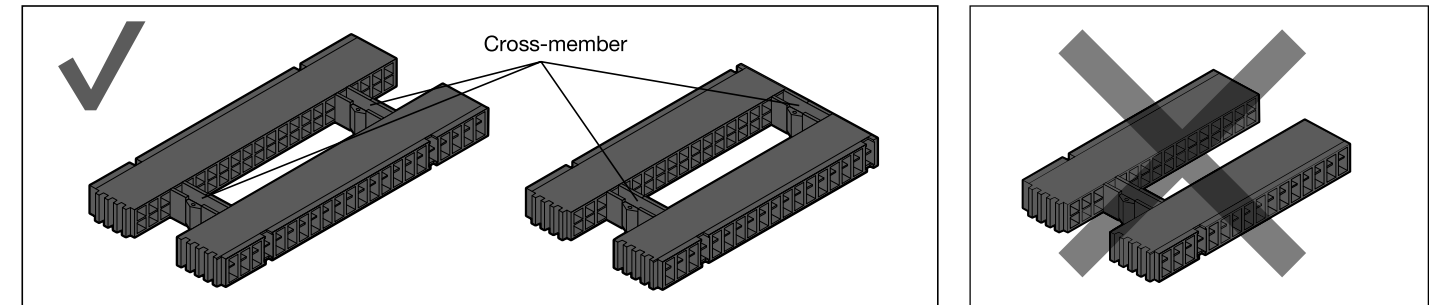
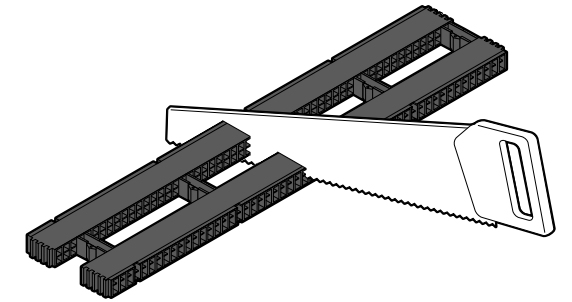
NOTICE

During installation, when an anchor bolt hits a Cross-member of the Joto-Vent, interchange the right with the left of Joto-Vent, the Joto-Vent is not symmetrical from end to end and then make the installation so that the Joto-Vent may not interfere with the anchor bolt.



Never do any modifications to the Joto-Vent, except cutting for length adjustment.

The length of the Joto-Vent is freely adjustable by cutting. However, the minimum length Joto-Vent block must have at least two cross member long.



The wall sheathing, OSB or plywood must be installed at a position that is resting on or higher than the Joto-Vent.

