

Installation Manual

for Insect Prevention Strip

Joto-Vent System[®]

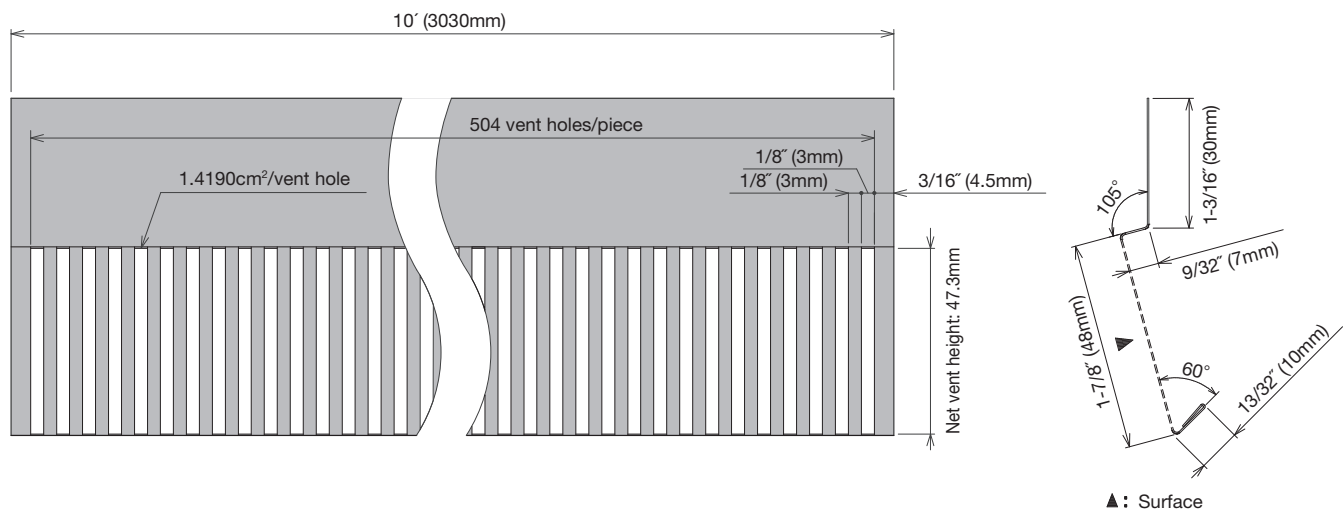
Continuous Perimeter Foundation Vent System

*Read this Instruction carefully before installation.

Specification

Product Number	JIP-2-10
Dimensions	10' (3,030 mm)
Color	Black
Material	28 Gauge Galvanizes Steel
Package	10 pieces / box

Product Size



Safety Consideration

WARNING

- Wear appropriate protective gear such as gloves, hard hats, and protective glasses while at work. Use appropriate cutting tools. Never use inappropriate tools for cutting purpose such as a sander to cut by friction. Properly handle the tools per their manufacturers' operations manual.
- Provide necessary personnel and equipment to ensure safety during transportation of the products. In particular, lengthy items must be carried by an appropriate number of people.
- Do not throw or drop the products. Do not step on the products or put anything on them. Doing so may lead to personal injury or property damages.
- Be careful about sharp corners and edges of the products. In particular, be careful not to cut your hand or other body parts with a sharp edge of the products once it has been cut to length.
- Never burn, eat, or let children play with the products. Doing so may lead to serious accidents.

CAUTION

- Avoid storage under very high or very low temperatures. Do not store the products outdoors. Do not keep the products upright. Doing so may lead to deformation of the products.
- Store the products on a flat surface.
- Never draw out the products from a small opening of a package. Doing so may damage the products.
- Do not block the ventilating holes when you paint the products. Doing so may impair the ventilation performance.
- Avoid using in contact with chemical-treated woods, CCA containing copper, lead, etc. and fire-retardant timbers when using the products, as there is a chance of corrosion when in contact with these types of treated woods. Also, avoid joining the products with fittings or accessories using dissimilar metals such as copper, lead, and alloys.
- Do not use the products at coastal areas (potential damage by seawater) or dense fog-prone areas. This product is a painted galvanized steel, however extreme salty coastal air can cause corrosion.
- Drip water caused by exhaust fumes from cars or chimneys may peel off the paint and coating.

NOTICE

Advised to use stainless-steel nails or equivalent to install Architectural Covering to prevent corrosion.

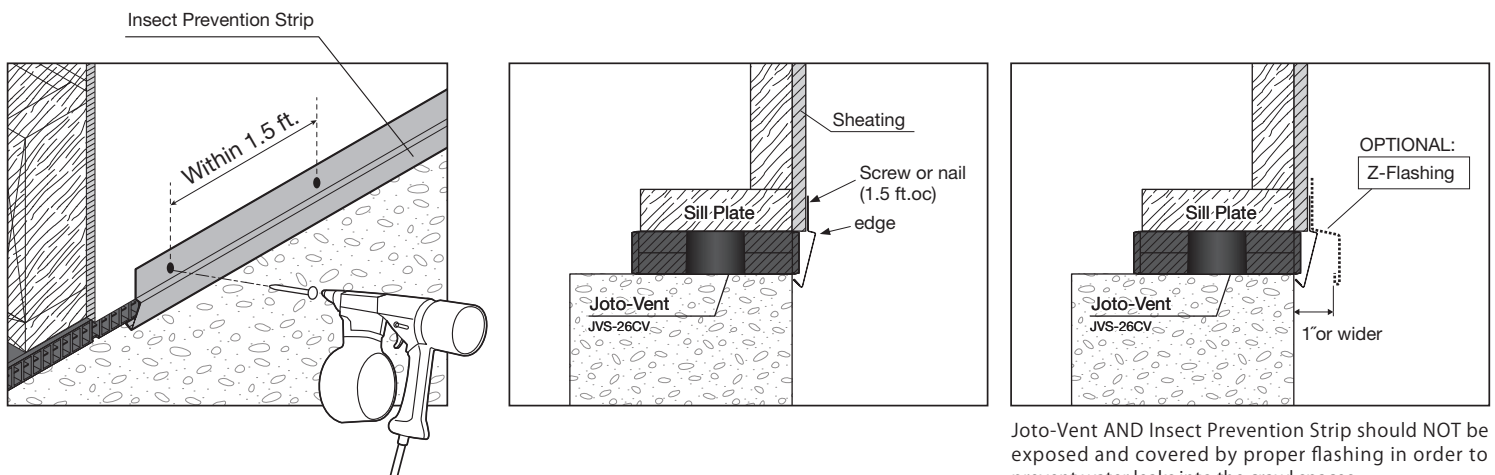
Combination of Joto-Vent and the Insect Prevention Strip

Install the Insect Prevention Strip by using rust-resistant fasteners spaced no more than 1.5 feet on center.

Install at the position where the "Edge" of the Insect Prevention Strip aligns with the top surface of the Joto-Vent.

Gaps between the vent holes should be less than 1/8" at each joint, as well as the external and internal corners.

Gaps between the surface of the foundation and the bottom tip of the Insect Prevention Strip should be less than 1/8".



Joto-Vent AND Insect Prevention Strip should NOT be exposed and covered by proper flashing in order to prevent water leaks into the crawl spaces.

*If use Joto Z-covering, make sure install the hem facing down.

- Minimum 1" spacing is required between the surface of the concrete foundation and the reverse side of the flashing shown above.
- The genuine Joto Z-Flashing is also available with accessories. Please refer to www.joto-vent.com for more information.

Ver1.0 JN22SK



Joto-Vent System USA, Inc.

17530 NE Union Hill Rd Suite 240, Redmond, WA 98052

Tel: (425)-256-2210 Fax: (425)-522-4804

URL: <https://joto-vent.com>

Joto-Vent System USA, Inc.

Manufactured by
JOTO TECHNO Co., Ltd.