

Installation Manual

for Insect Prevention Strip



Joto-Vent System[®]

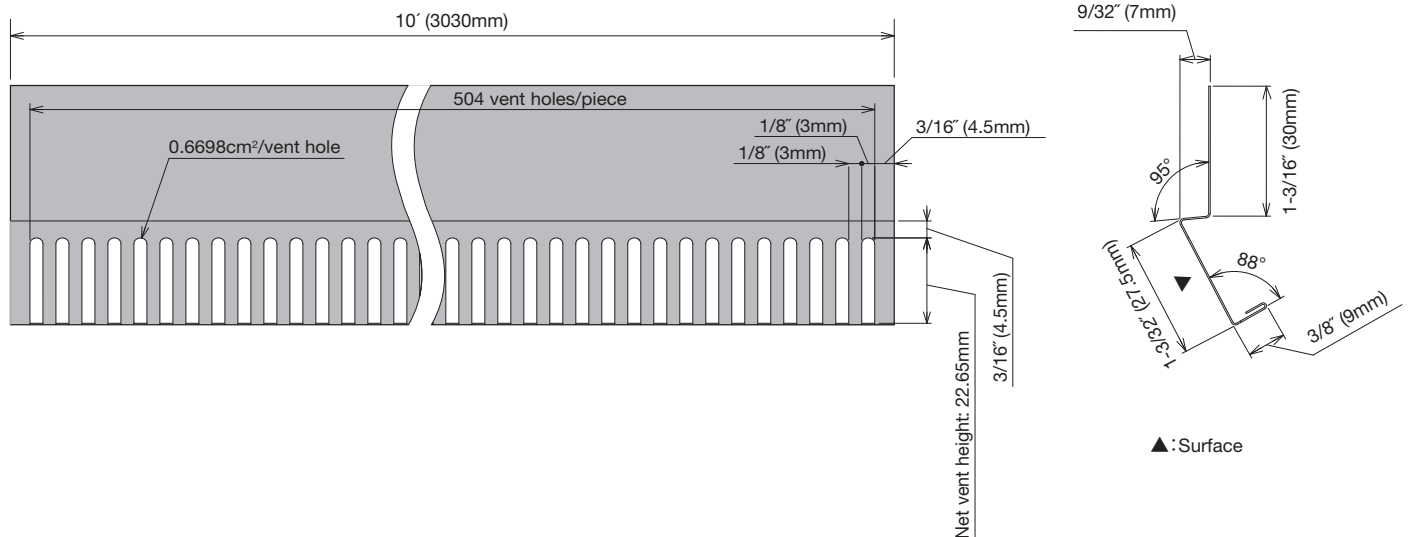
Continuous Perimeter Foundation Vent System

*Read this Instruction carefully before installation.

Specification

Product Number	KIP-1-10
Dimensions	10' (3,030 mm)
Color	Black
Material	28 Gauge Galvanizes Steel
Package	10 pieces / box

Product Size



Safety Consideration

WARNING

- Wear appropriate protective gear such as gloves, hard hats, and protective glasses while at work. Use appropriate cutting tools. Never use inappropriate tools for cutting purpose such as a sander to cut by friction. Properly handle the tools per their manufacturers' operations manual.
- Provide necessary personnel and equipment to ensure safety during transportation of the products. In particular, lengthy items must be carried by an appropriate number of people. If it must be carried by one person, keep it in balance by holding at the center point. Not doing so may lead to personal injury or property damages.
- Do not throw or drop the products. Do not step on the products or put anything on them. Doing so may lead to personal injury or property damages.
- Be careful about sharp corners and edges of the products. In particular, be careful not to cut your hand or other body parts with a sharp edge of the products once it has been cut to length.
- Never burn, eat, or let children play with the products. Doing so may lead to serious accidents.

CAUTION

- Avoid storage under very high or very low temperatures. Do not store the products outdoors. Do not keep the products upright. Doing so may lead to deformation of the products.
- Store the products on a flat surface.
- Never draw out the products from a small opening of a package. Doing so may damage the products.
- Do not block the ventilating holes when you paint the products. Doing so may impair the ventilation performance.
- Avoid using in contact with chemical-treated woods, CCA containing copper, lead, etc. and fire-retardant timbers when using the products, as there is a chance of corrosion when in contact with these types of treated woods. Also, avoid joining the products with fittings or accessories using dissimilar metals such as copper, lead, and alloys.
- Do not use the products at coastal areas (potential damage by seawater) or dense fog-prone areas. This product is a painted galvanized steel, however extreme salty coastal air can cause corrosion.
- Drip water caused by exhaust fumes from cars or chimneys may peel off the paint and coating.

NOTICE

Advised to use stainless-steel nails or equivalent to install Architectural Covering to prevent corrosion.

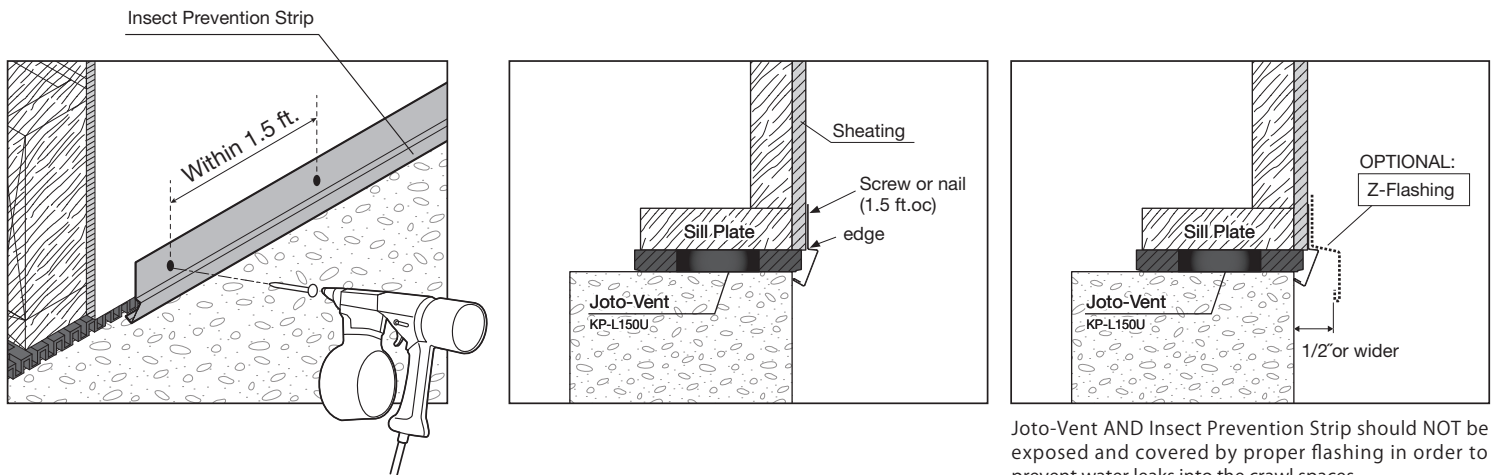
Combination of Joto-Vent and the Insect Prevention Strip

Install the Insect Prevention Strip by using rust-resistant fasteners spaced no more than 1.5 feet on center.

Install at the position where the "Edge" of the Insect Prevention Strip aligns with the top surface of the Joto-Vent.

Gaps between the vent holes should be less than 1/8" at each joint, as well as the external and internal corners.

Gaps between the surface of the foundation and the bottom tip of the Insect Prevention Strip should be less than 1/8".



Joto-Vent AND Insect Prevention Strip should NOT be exposed and covered by proper flashing in order to prevent water leaks into the crawl spaces.

*If use Joto Z-covering, make sure install the hem facing down.

- Minimum 1/2" spacing is required between the surface of the concrete foundation and the reverse side of the flashing shown above.
- The genuine Joto Z-Flashing is also available with accessories. Please refer to www.joto-vent.com for more information.

Ver1.0 JN22SK



Joto-Vent System USA, Inc.

17530 NE Union Hill Rd Suite 240, Redmond, WA 98052

Tel: (425)-256-2210 Fax: (425)-522-4804

URL: <https://joto-vent.com>

Joto-Vent System USA, Inc.

Manufactured by
JOTO TECHNO Co., Ltd.